

USER NOTES

Make sure the threads on the rifle are clean and put some metal free paste / grease (For ex. CRC® Metal Free Paste, LIQUIMOLY® Metal Free Paste, SuperLube®) on the threads.

A paste/grease sample is included with the silencer for the first treatment.

Thereafter, carefully screw the silencer/moderator onto the threads and screw all the way to the stop edge of the threads using hand force. Check regularly that the silencer is well tightened to the barrel during shooting.

Always wear hearing protection on the shooting range / shooting cinema also when shooting with a silencer!

Never use any covers on the silencer during intensive shooting. Remove the silencer from the barrel after shooting and let it dry in a warm and well-ventilated place.

Your TRITON-silencer is in practice maintenance-free, but the threads on the front part shall be "jogged" after every use to ensure that the front does not get stuck onto the rear part. A more thorough cleaning should be done if the removal of the front does not run smoothly. Clean the threads with weapon solvent etc and dry. After cleaning – apply a thin layer of metal free paste / grease and then screw the front back again.

IMPORTANT! If the threads are getting stuck, warranty cannot be claimed.

The rear part of the silencer (that runs over the barrel) should not be disassembled! NEVER use ultra-sonic cleaning or any cleaning chemicals/detergents/solvents – this may harm the soft-touch surface treatment!

Cleaning as outlined above is all what is required.

aimSport

Better Hunting

*Thank you for choosing aimSport silencer!
We are confident that you will have many years of trouble-free shooting with a minimum of maintenance!*



WARRANTY

aimSport Sweden AB warrants your TRITON-silencer for a period of five (5) years from date of purchase provided the following conditions:

- That the silencer is used on approved sports-/hunting rifles only
- That the silencer has not been damaged due to faulty installation
- That maintenance has been done according to this manual.
- That the original place of purchase is contacted in a warranty case and proof of purchase is supplied.

aimSport Sweden AB:s liability under this warranty is limited to repair or replacement of an equivalent product.

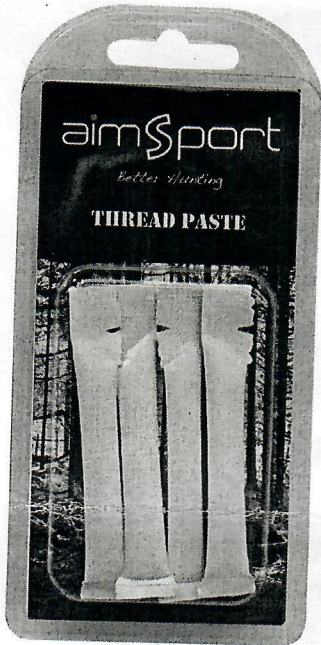
aimSport Sweden AB is not responsible for any consequences, direct or indirect, or any damage caused resulting from the use of this product.

TRITON PREDATOR THREAD

TRITON Predator is muzzle mounted and has a replaceable thread nut that makes it easy to change to a different thread. As the nut is replaceable it can sometimes remain fixed on the rifle when the silencer is detached. If this happens – just loosen the thread nut from the barrel with a wrench and screw the nut back into the silencer and properly tighten.

THREAD IN THE OVER-BARREL TRITON-MODELS

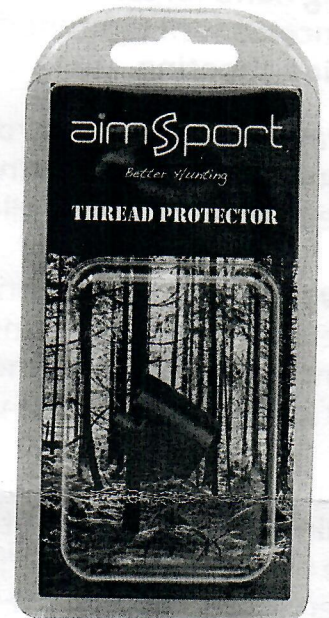
In the rear part of the OVER-BARREL TRITON-MODELS the TRITON-nut is situated. This nut contains the threads of the silencer. This component is locked into the rear part and cannot be replaced.



ACCESSORIES

With every TRITON comes a sample pack of SuperLube which is used to grease the thread. This is also available as an optional extra.

Always ensure the threads on the barrel are protected – use a thread protector or the silencer. Our thread protectors are available for most thread sizes.

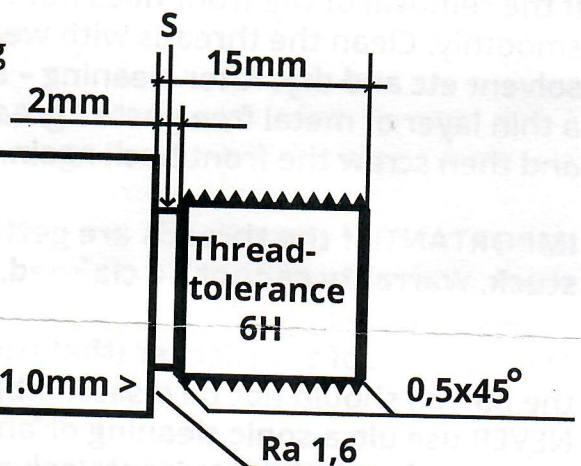


THREADING / MOUNTING

Consult an experienced gunsmith when threading the barrel for the silencer/moderator. See below.

M14x1 (barrel 16mm)	S=12,8mm
M15x1 (barrel 17mm)	S=13,8mm
M18x1 (barrel \geq 20mm)	S=16,5mm

Smallest recommended shoulder = 1.0mm >

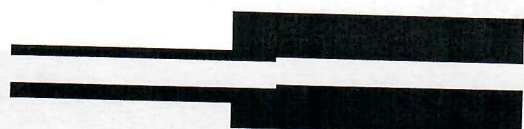


Thread and bore in center and in line with the silencer.



Perfect!

Thread and bore NOT in center and / or in line with the silencer – big risk for a baffle-hit!



Warning!